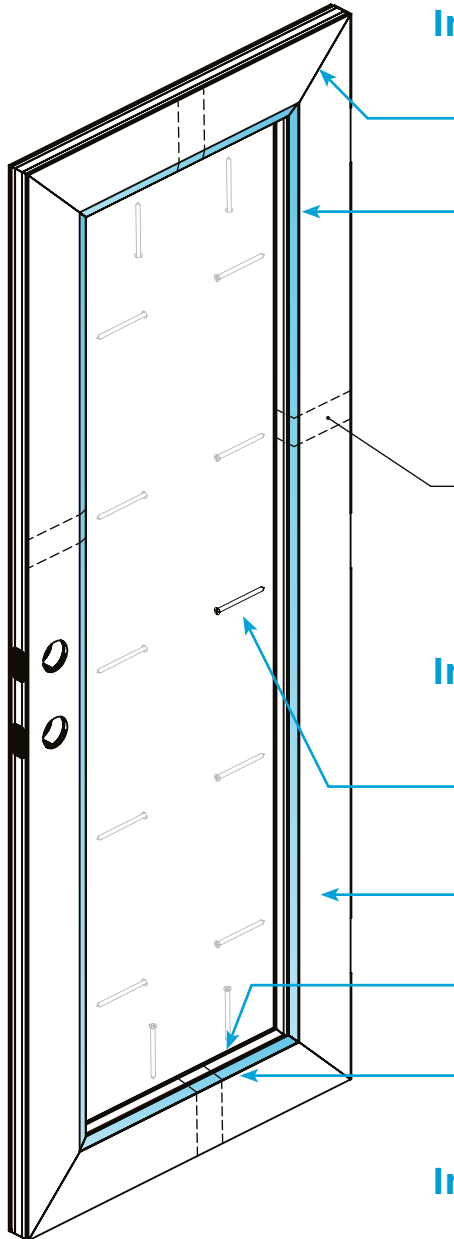


PVC DOOR PANELS

Features & Benefits

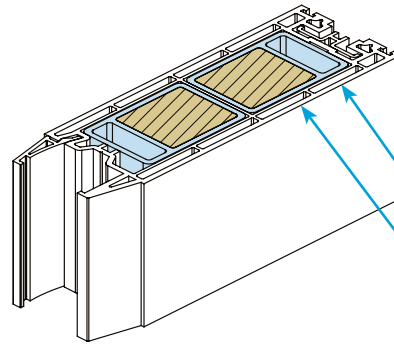
GPIMILLWORKS

www.gpimillworks.com



Improved Strength

- ① Welded PVC door panel with a fixed glazing bead on one side and a removable glazing bead on the other
- ② Glazing Tape (inside of each four sides of door panel)



Pultruded Fiberglass Reinforcements (2) and Wood Inserts (2) each in left and right stiles of door; Pultruded Fiberglass Reinforcement (1) in both top and bottom rails

Fiberglass Reinforcements

Wood Inserts

Improved Thermal Resistance

- ④ Panel stiles are secured to the Pultruded Fiberglass Reinforcements and Wood Inserts on the inside with stainless steel screws (5 on each side and 2 top and bottom).
- ⑤ Protective surface film covers both front and back of door panel
- ⑥ Setting Blocks
- ⑦ Weep Holes

Improved Versatility

- ⑧ Due to the deadbolt and latch locations being centerlined, the PVC Door Panel can be used for a left or right active door by rotating the door 180° (top to bottom).

SALES CONTACT

844.345.1025
info@gpigroup.us



GPI Millworks

2003 South Bibb Drive
Tucker, GA 30084
www.gpimillworks.com