

ASSEMBLY AND INSTALLATION INSTRUCTIONS

STEP 1: REVIEW & CHECK

A) CONFIRM DOOR HEIGHT & WIDTH

You have purchased a SINGLE Retractable Screen for an INSWING door.

HEIGHT: This unit is available in two sizes: Retro and Full-Size. Please make sure that the screen unit you have purchased matches your door height.

WIDTH: This screen unit will fit door widths of 3/0 (without cutting) and 2/8 or 2/6 (with cutting). Please make sure that your door width is 3/0, 2/8 or 2/6.

B) PART REVIEW

Verify that the following components are included in the box. Parts are listed from left to right. **See Figure 1A >**

1. Screen Housing marked A and D (1)
2. Screen Jamb and Screw Cover marked B and C (1)
3. Screen Track with locking hardware marked A and B (1)
4. Screen Track with locking hardware marked C and D (1)
5. Screen Track Covers (2)
6. Mounting Screws for corner and tracks
 - a. Two - #8 x 3" phillips head tapping screws
 - b. Five - #8 x 1-1/2" phillips head tapping screws
 - c. Four - #8 x 5/8" phillips head tapping screws
 - d. Two - #8 x 1/2" phillips head self-drilling screws
 - e. Three - #8 x 1" self-drilling screws
7. Screen Housing Circular Screw Covers (2)

C) TOOLS REQUIRED **See Figure 1B >**

- Level
- Square
- Tape Measure
- Drill
- Screwdriver: flat head and Phillips head
- Pencil
- Hacksaw

FIG. 1A

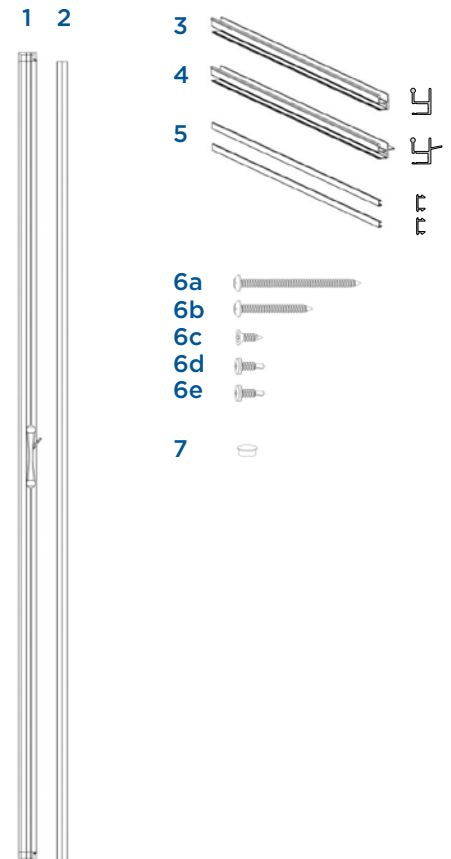
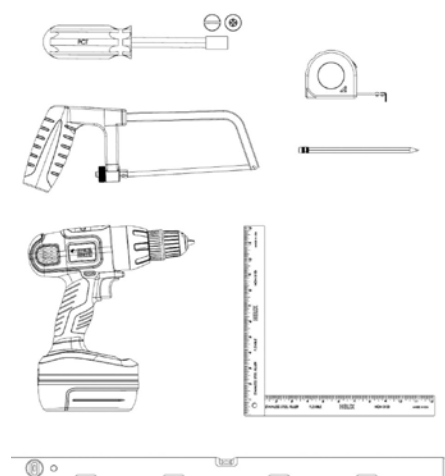


FIG. 1B



ASSEMBLY AND INSTALLATION INSTRUCTIONS

STEP 2: ASSEMBLY PREPARATIONS

Very important! Please examine the picture at right for additional details. **See Figure 2A >**

Before proceeding to assembly, please look at the back of the header and sill screen tracks. There you will find the numbers 3/0, 2/8 and 2/6 printed on the end of the track. These numbers correspond to the door unit size that the screen will fit onto.

Depending on the size of the door unit on which this system is being installed, you may need to cut one end on the line that corresponds with your door unit size. NOTE: the 3/0 size DOES NOT require cutting.

IF YOU HAVE A 2/8 OR 2/6 DOOR

For 2/8 or 2/6 doors, you will need to cut the header and sill screen tracks AND the header and sill screen track covers.

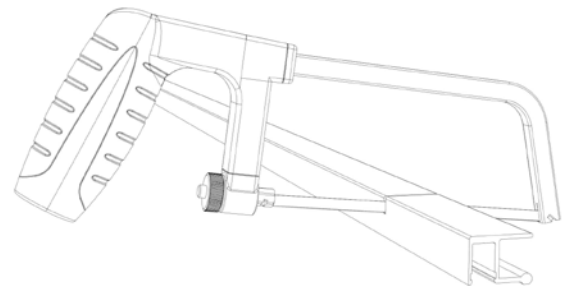
Using a hacksaw, saw the header screen track on the line - 2/8 or 2/6 - that corresponds to your door size. Repeat for the sill screen track. **See Figure 2B >**

Now, saw the header and sill screen track covers to match. NOTE: the screen track covers do not have clear tape with 2/8 or 2/6 markings. You will need to cut the screen track covers to match the NEW width of the header and sill screen tracks.

FIG. 2A



FIG. 2B



ASSEMBLY AND INSTALLATION INSTRUCTIONS

STEP 3: ASSEMBLY

Place all the items from the box on the floor in front of the patio or single door where the single screen is to be installed.

The screen housing, screen jamb and tracks should line up with their corresponding letters in a clockwise fashion, as shown at right: A to A, B to B, C to C, D to D. **See Figure 3A >**

Slide each screen track onto both the handle and housing slide guides on one side and the jamb corner keyon the other. It is very important that these lock in place correctly. **See Figure 3B >**

Lock in clockwise fashion as indicated below: A to A, B to B, C to C and D to D. The screen frame unit is now assembled and ready for locking the assembly together.

FIG. 3A

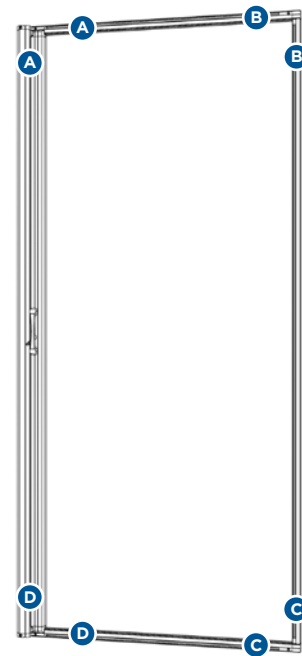
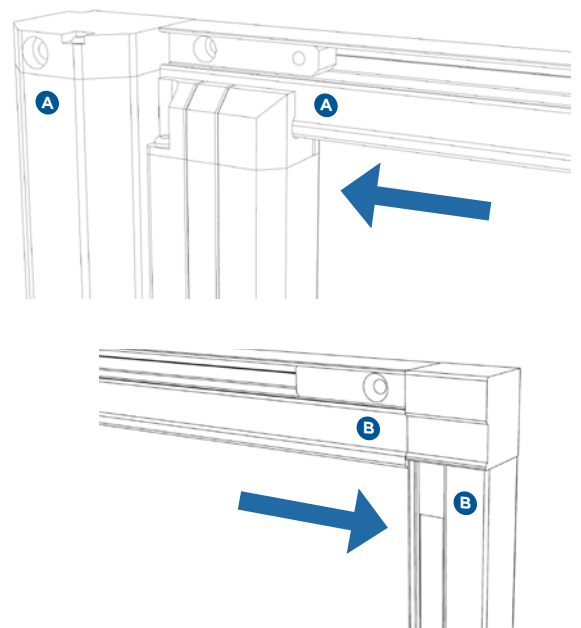


FIG. 3B



ASSEMBLY AND INSTALLATION INSTRUCTIONS

STEP 3: ASSEMBLY *(continued)*

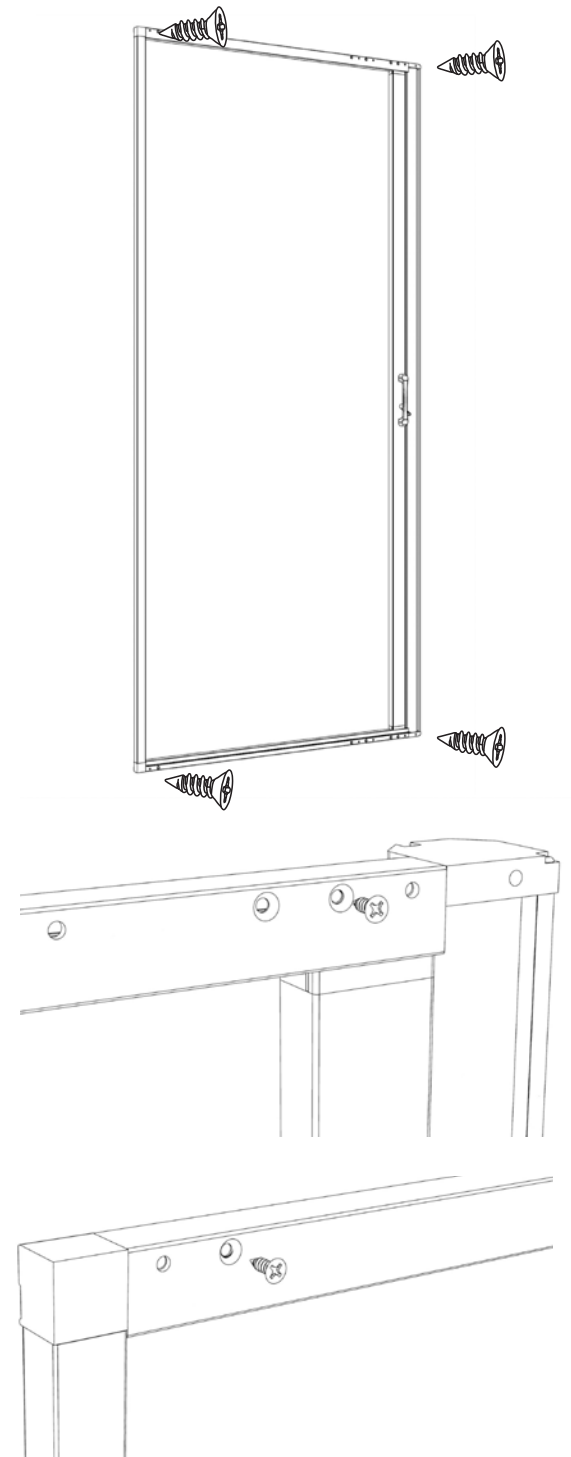
FLIP AND TIGHTEN

We now need to tighten the assembled screen unit. Flip the screen unit up and away from the door where the screen will be installed so that you now see the back side of the screen unit.

Using the #8 x 5/8" phillips head tapping screws, lock the screen housing arm to the screen track by tightening. Repeat for all both top and bottom of the screen housing. **See Figure 3C >**

Now, flip screen door unit back over so that you see the front side of the retractable screen.

FIG. 3C



ASSEMBLY AND INSTALLATION INSTRUCTIONS

STEP 4: INSTALLATION

CONFIRM BRICKMOLD SURROUNDS DOOR

The screen unit will be mounted directly to the brickmold on the outside of the door frame. If there is no brickmold outside your door frame, you will need to purchase the GPI Millworks Molding Kit (Part #: 110-110). This will ensure that the jamb, head and sill are flush so that the screen unit will operate smoothly.

See Figure 4A >

POSITION SCREEN

Now move the assembled screen unit up and center it on the door unit with the screen housing on the hinge side and the screen jamb on the opposite side.

Now move the assembled screen unit up and center it on the door unit. The sill track should be positioned with the flange on the back side of the sill track, resting on the outside sill edge. NOTE: The inside edge of the sill screen track will be mounted directly onto the sill. **See Figure 4B >**

FIG. 4A

Ensure brickmold completely surrounds door

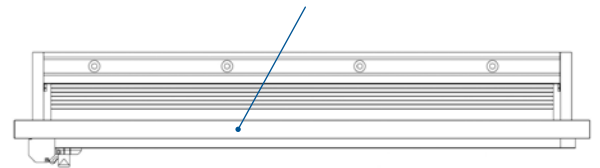
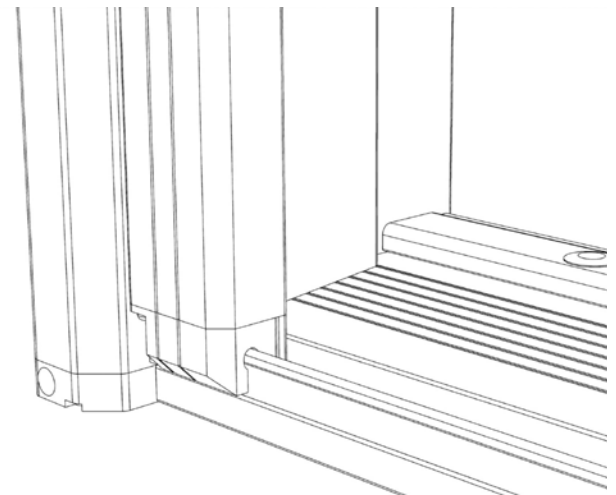
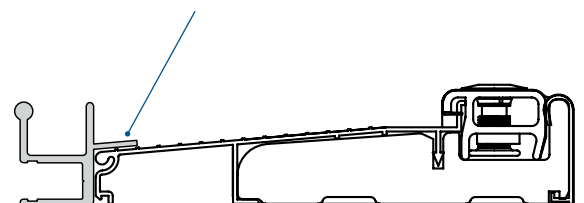


FIG. 4B



Mount sill screen track directly onto sill



ASSEMBLY AND INSTALLATION INSTRUCTIONS

STEP 4: INSTALLATION *(continued)*

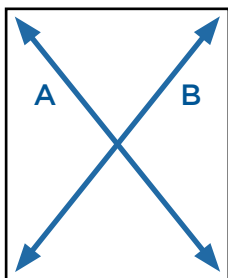
MOUNT HEAD TRACK TO DOOR FRAME

After positioning the screen frame on the door opening and making sure the screen meets correctly with the screen jamb, screw the head track into the door frame. **See Figure 4C >**

Screw in ONLY ONE of the three #8 x 1-1/2" screws because you may need to adjust the position of the screen unit to make sure that the screen is square and level. **See Figure 4D >**

MOUNT SILL TRACK TO DOOR SILL

Once this is done, check again to make sure the screen is square and level. (The diagonal distance on both sides should be about the same; the difference should be no greater than 1/8".)



The difference between distances A and B should be no greater than 1/8".

Finally, test that the retractable screen opens and closes smoothly and easily without twisting. If it is not square and level or does not operate smoothly, adjust.

Now screw the screen sill track to the door sill and the screen jamb to the door jamb. **See Figure 4E >**

FIG. 4C

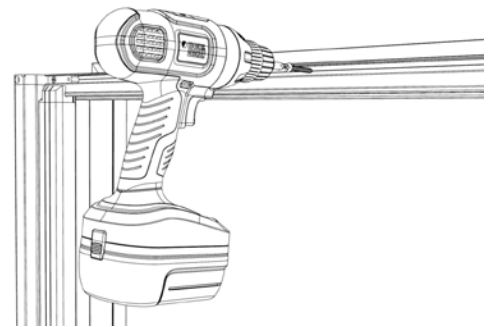


FIG. 4D

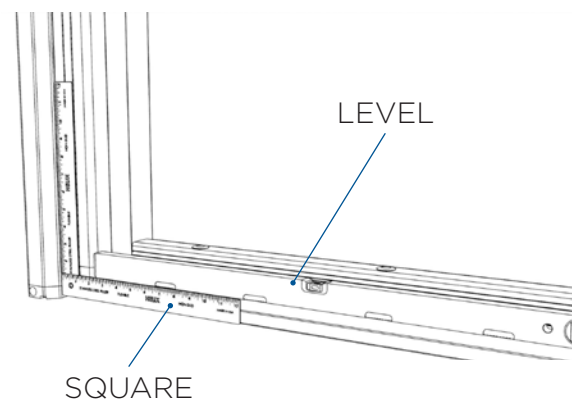
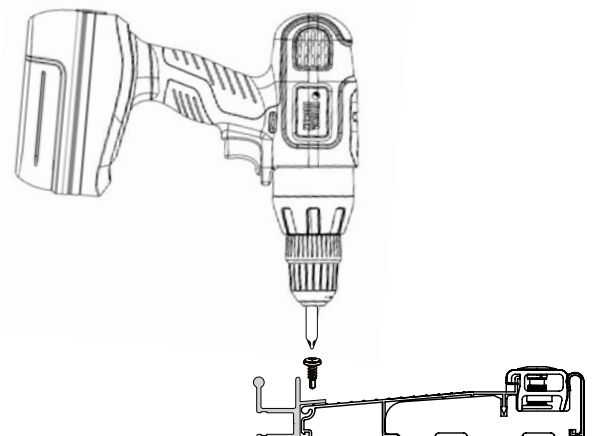


FIG. 4E



ASSEMBLY AND INSTALLATION INSTRUCTIONS

STEP 4: INSTALLATION *(continued)*

INSERT REMAINING SCREWS

Add the rest of the screws to the screen head track and jamb and tighten. Finish by screwing the screen housing at the top and bottom and the jamb at the top, sides and bottom using the #8 x 3" screws. All screws should be securely fastened at this stage. **See Figure 4F >**

SNAP IN SCREEN TRACK & SCREW COVERS

Now snap in the screen track covers to the front sides of both screen tracks and the screen jamb. **See Figure 4G >**

Once complete, pop in the small screen housing circular screw covers to cover each hole. **See Figure 4H >**

**YOUR RETRACTABLE SCREEN
INSTALLATION IS NOW COMPLETE!**

MAINTENANCE

For continued high performance, check from time to time to make sure the bottom track is clear of debris. In addition, occasionally apply a dry silicone spray to the top and bottom tracks to ensure smooth screen operation.

FIG. 4F

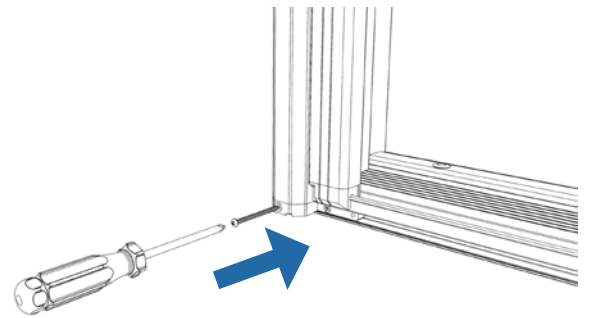


FIG. 4G

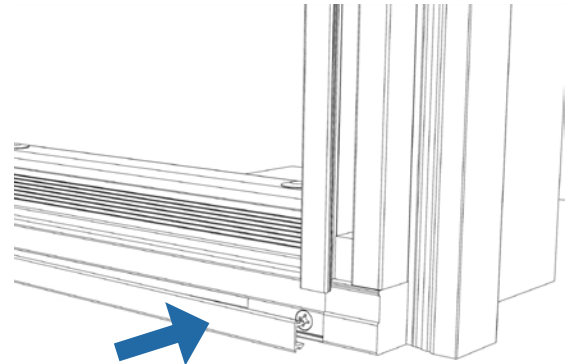


FIG. 4H

