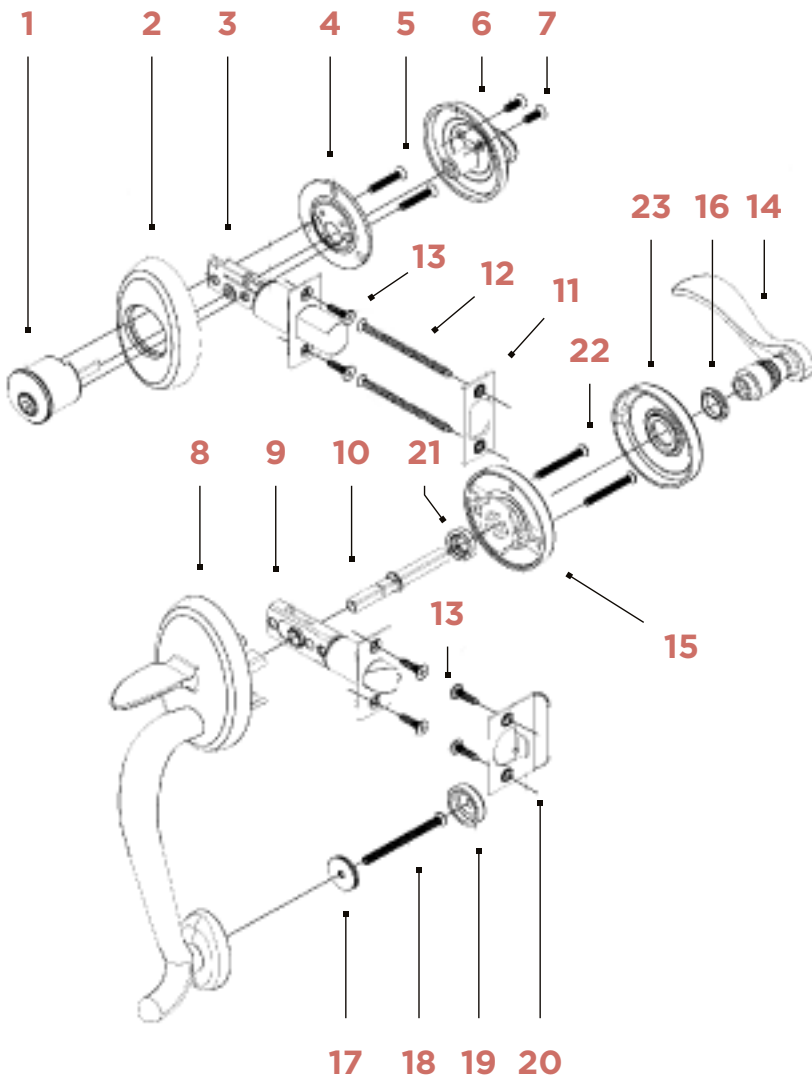


INSTRUCTIONS (Page 1 of 3)

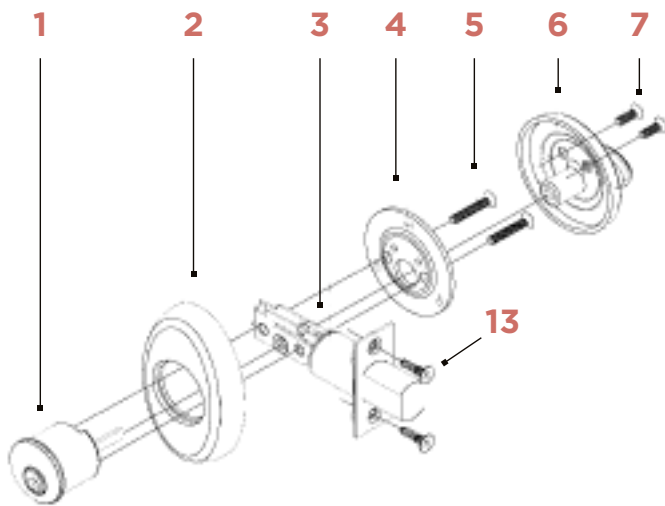
TM PATIO LOCKSET INSTALLATION INSTRUCTIONS



- 1 Outside Key Cylinder
- 2 Key Cylinder Cover Plate (Escutcheon)
- 3 Adjustable Deadbolt
- 4 Thumb Turn Mounting Plate
- 5 2" Pan Head Screws (Two)
- 6 Thumb Turn and Cover Plate
- 7 1/2" Oval Head Screws (Two)
- 8 Outside Handle Assembly
- 9 Adjustable Spring Latch
- 10 Handle Spindle
- 11 Deadbolt Strike
- 12 2 1/2" Wood Screws (Two)
- 13 1/2" Wood Screws (Two)
- 14 Inside Lever Handle
- 15 Handle Mounting Plate and Cover Plate
- 16 Plastic Washer
- 17 Thread Washer
- 18 2 1/2" Flat Head Screw
- 19 Screw Cover
- 20 Latch Plate
- 21 Handle Spindle Collar
- 22 1 1/2" Flat Head Screws (Two)
- 23 Handle Cover Plate

INSTRUCTIONS (Page 2 of 3)

DEADBOLT INSTALLATION

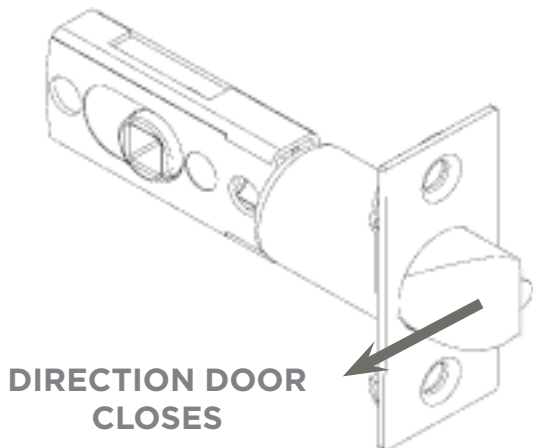


- The deadbolt is adjustable. It is set for 2 3/8" set back, but can be adjusted to 2 3/4". (See the instruction sheet, "Adjustable Deadbolt & Latch.")
- The #3 ADJUSTABLE DEADBOLT is marked with an up arrow on the side.
- Insert the deadbolt in the up position into the top hole on the end of the door. Screw in place using #13 1/2" WOOD SCREWS (two).
- Insert #1 OUTSIDE KEY CYLINDER into #2 KEY CYLINDER PLATE then slide the key cylinder arm through the deadbolt where the cross slot is located.



- Hold in place while putting #4 THUMB TURN MOUNTING PLATE on the inside. Now insert and tighten #5 2" PAN HEAD SCREWS (two). Next place #6 THUMB TURN AND COVER PLATE into the #4 THUMB TURN MOUNTING PLATE and tighten with #7 1/2" OVAL HEAD SCREWS (two).

LATCH INSTALLATION

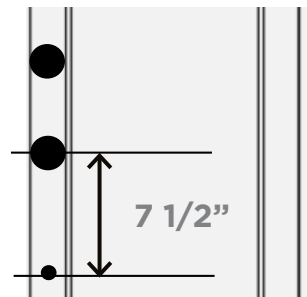
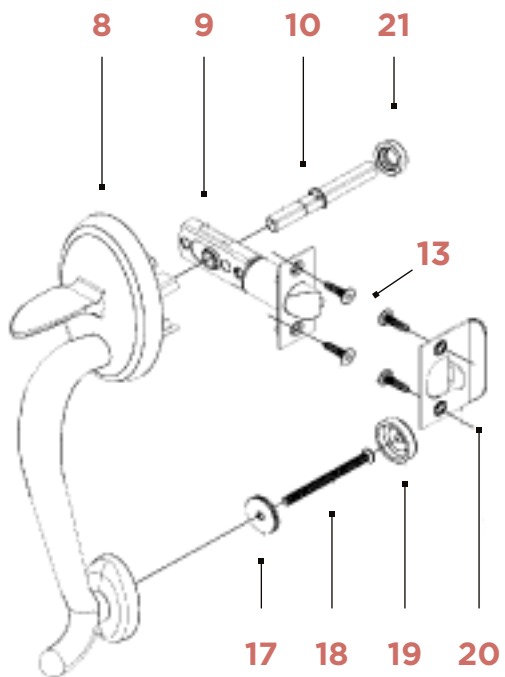



- The latch is adjustable. It is set for 2 3/8" set back, but the latch can be adjusted to 2 3/4" set back. (See instruction "Adjustable Deadbolt & Latch.")
- The #9 ADJUSTABLE SPRING LATCH should be oriented so that the beveled latch faces in the direction that the door closes. With the orientation in the direction of closing, place the latch in the bottom hole on the end of the door. Screw in place using #13 1/2" WOOD SCREWS (two).

INSTRUCTIONS (Page 3 of 3)

HANDLE INSTALLATION

- Locate the tread hole for the bottom of #8 OUTSIDE HANDLE ASSEMBLY by measuring from the center of the bottom hole 7 1/2". Then drill a 5/16" hole through the active door.



- Slide #21 HANDLE SPINDLE COLLAR onto #10 HANDLE SPINDLE. The collar should be put on from the long end moving the collar toward the short end. Now from the inside of the door insert the short end of #10 HANDLE SPINDLE with #21 HANDLE SPINDLE COLLAR through #9 ADJUSTABLE SPRING LATCH with the "V" groove facing down.
- #10 HANDLE SPINDLE is marked with an arrow on top. 
- Place the top of #8 OUTSIDE HANDLE ASSEMBLY into the bottom hole sliding #8 OUTSIDE HANDLE ASSEMBLY onto #10 HANDLE SPINDLE. From the inside place #15 HANDLE MOUNTING PLATE and screw #15 HANDLE MOUNTING PLATE to #8 OUTSIDE HANDLE ASSEMBLY using #22 1 1/2" FLAT HEAD SCREWS (two).
- Attached #23 HANDLE COVER PLATE to #15 HANDLE MOUNTING PLATE by pressing on.
- Place #16 PLASTIC WASHER over the #10 HANDLE SPINDLE then place #14 INSIDE LEVER HANDLE onto the #10 HANDLE SPINDLE and tighten from below with the Allen wrench provided.
- Now secure the bottom of #8 OUTSIDE HANDLE ASSEMBLY by inserting #18 2 1/2" FLAT HEAD SCREW through the #17 THREAD WASHER then into the 5/16" drill hole. Screw #18 2 1/2" FLAT HEAD SCREW to tighten and secure.
- Place #19 SCREW COVER onto #17 THREAD WASHER and tighten.

