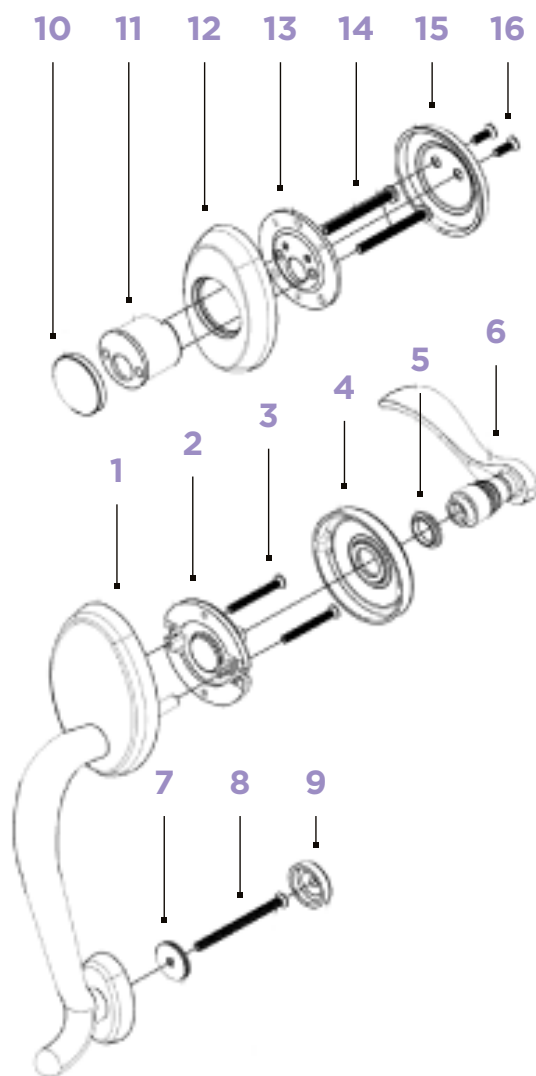


INSTRUCTIONS (Page 1 of 3)

TM PATIO DUMMY LOCKSET INSTALLATION INSTRUCTIONS

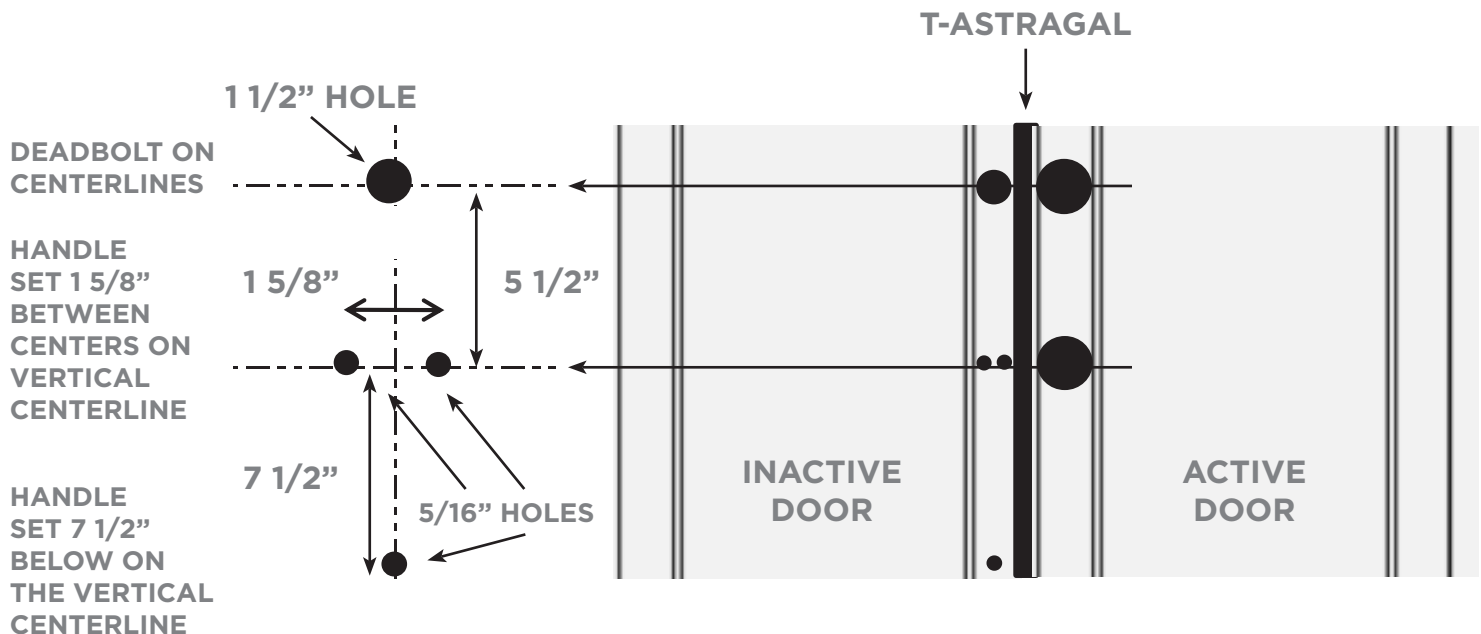


- 1 Outside Handle Assembly
- 2 Handle Mounting Plate and Lever Handle Post
- 3 1 1/2" Flat Head Screws (Two)
- 4 Handle Cover Plate
- 5 Plastic Washer
- 6 Inside Lever Handle
- 7 Thread Washer
- 8 2 1/2" Flat Head Screw
- 9 Screw Cover
- 10 Blank Cylinder Cover
- 11 Outside Dummy Cylinder
- 12 Cylinder Cover Plate (Escutcheon)
- 13 Mounting Plate
- 14 2" Pan Head Screws (Two)
- 15 Inside Cover Plate
- 16 1/2" Oval Head Screws (Two)

INSTRUCTIONS (Page 2 of 3)

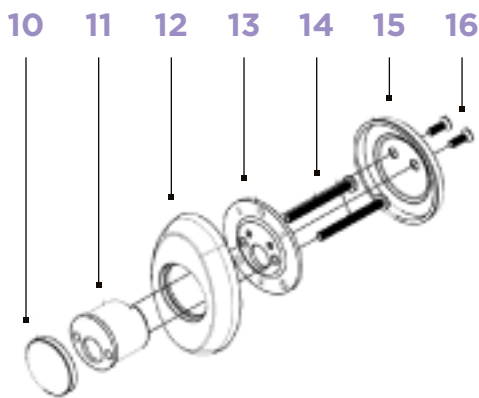
INACTIVE DOOR PREPARATION FOR DUMMY DEADBOLT AND HANDLE

- The dummy lockset is to be applied to the inactive door. The inactive door will need to be prepared for the installation by drilling ONE hole for dummy deadbolt 1 1/2" in diameter and THREE holes for dummy handle set 5/16" in diameter.
- To determine the vertical centerline on the inactive door, start at the edge of the T-astagal closest to the active door and add an additional 5/8" to the backset measurement. The centerlines will be 3" for the 2 3/8" or 3 3/8" for the 2 3/4".
- Draw two horizontal centerlines in line with the center of the active door deadbolt and handle holes.



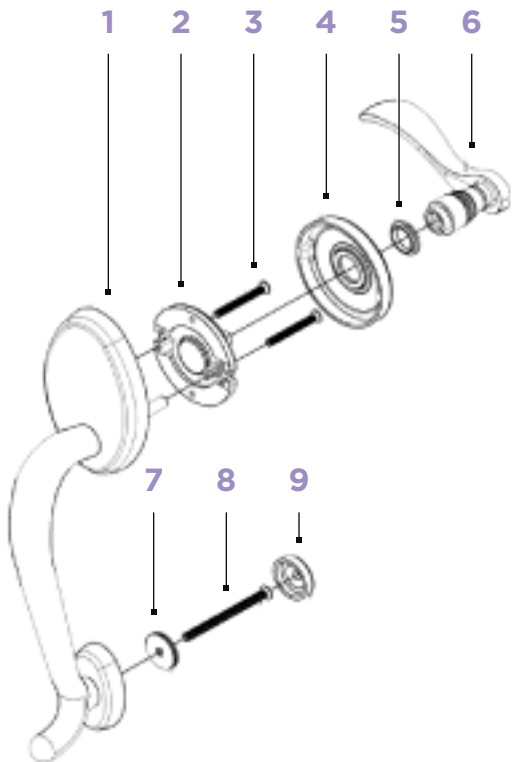
INSTRUCTIONS (Page 3 of 3)

DUMMY DEADBOLT INSTALLATION



- Cover #11 OUTSIDE DUMMY CYLINDER with #10 BLANK CYLINDER COVER. Insert #10 and 11 OUTSIDE DUMMY CYLINDER AND BLANK COVER into #12 CYLINDER COVER PLATE.
- Place the cylinder and plate against the outside of the door and insert into the 1 1/2" pre-drilled handle hole.
- Hold and place #13 MOUNTING PLATE on the inside of the door. Insert and tighten with #14 2" PAN HEAD SCREWS (two) into the back of the dummy cylinder.
- Place #15 INSIDE COVER PLATE over #13 MOUNTING PLATE and tighten with #16 1/2" OVAL HEAD SCREWS (two).

DUMMY HANDLE INSTALLATION



- Place the top of #1 OUTSIDE HANDLE ASSEMBLY against the outside of the door and insert the two screw post on the backside of the handle assembly into the pre-drilled handle holes on the inactive door.
- Hold in place while putting #2 HANDLE MOUNTING PLATE AND LEVER POST on the inside. Screw #2 HANDLE MOUNTING PLATE AND LEVER POST to the handle assembly using #8 1 1/2" FLAT HEAD SCREWS (two).
- Attached #4 HANDLE COVER PLATE to the mounting plate by pressing it on. Place the #5 PLASTIC WASHER over #2 HANDLE MOUNTING PLATE AND LEVER POST then place #6 INSIDE LEVER HANDLE onto #2 HANDLE MOUNTING PLATE AND LEVER POST then tighten from below with the Allen wrench provided.
- Insert #8 2 1/2" FLAT HEAD SCREW through the #7 THREAD WASHER From the inside of the door insert #8 and #7 THREAD WASHER and screw in the pre-drill bottom handle set hole then tighten to secure the handle assembly to the door.
- Screw #9 SCREW COVER to #7 THREAD WASHER.