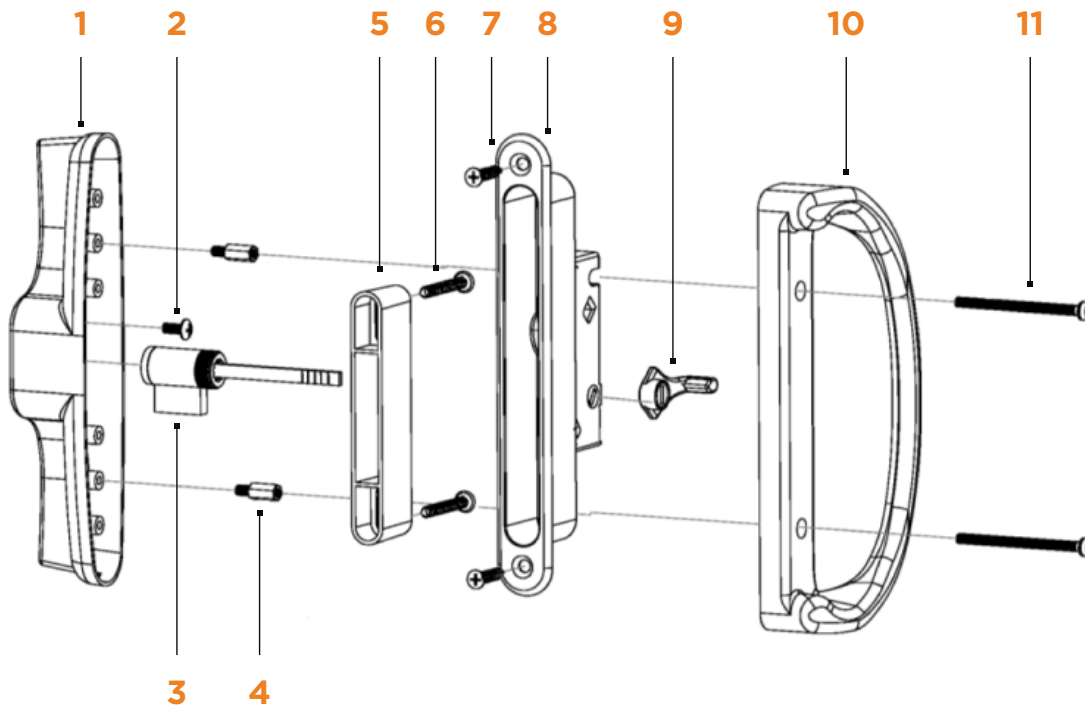


**INSTRUCTIONS** (Page 1 of 3)

**SLIDING DOOR LOCKSET MOUNTING INSTRUCTIONS**



- |   |                                |    |                               |
|---|--------------------------------|----|-------------------------------|
| 1 | Outside Handle                 | 7  | Mortise Screws, #8 x 1"       |
| 2 | Key Holder Screw, #8-32 x 1/2" | 8  | Mortise Cover and Mortise     |
| 3 | Key Cylinder                   | 9  | Inside Lock Lever             |
| 4 | Alignment and Mounting Post    | 10 | Inside Handle                 |
| 5 | Keeper                         | 11 | Handle Screws, #8-32 x 1-7/8" |
| 6 | Keeper Screws, #10 x 1-1/2"    |    |                               |

### INSTRUCTIONS (Page 2 of 3)

#### SLIDING DOOR LOCKSET MOUNTING INSTRUCTIONS

##### 1. PRELIMINARY (FIG. 1)

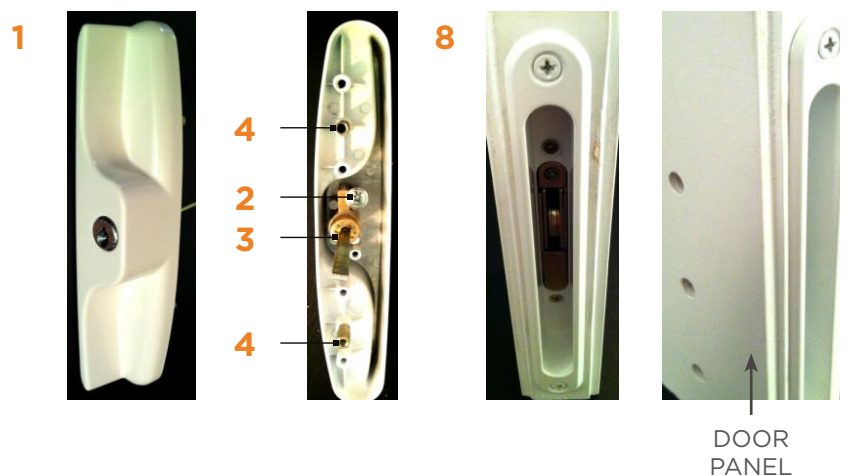
#1 OUTSIDE HANDLE comes with the #3 KEY CYLINDER mounted into the back with the #2 KEY HOLDER SCREW.

The #4 ALIGNMENT AND MOUNTING POST are installed and set for the pre-drilled holes in the door panel.

#8 MORTISE COVER AND MORTISE are inserted into the routed edge of the door panel. Make sure that the key cylinder slot aligns with the center hole.

Secure #8 MORTISE COVER AND MORTISE using #7 SCREWS.

FIG. 1



##### 2. ON THE OUTSIDE (FIG. 2)

Place #1 OUTSIDE HANDLE into the top and bottom holes while aligning the key cylinder arm into the center hole and through the key cylinder slot. The key cylinder arm will travel through and project out inside.

FIG. 2



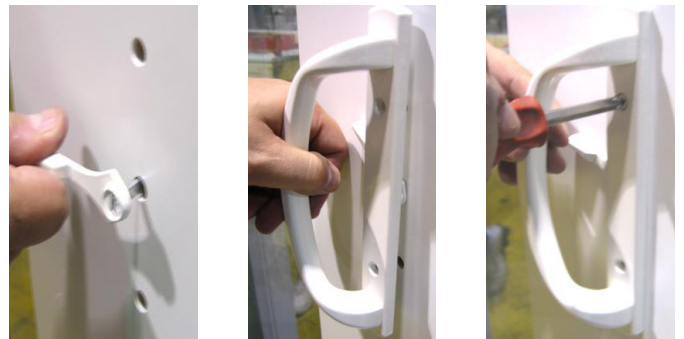
##### 3. ON THE INSIDE (FIG. 3)

Place #9 LOCK LEVER over the key cylinder arm.

Place #10 INSIDE HANDLE over the #9 LOCK LEVER and into the top and bottom holes.

Screw the #10 INSIDE HANDLE to the #1 OUTSIDE HANDLE using #11 SCREWS.

FIG. 3



**INSTRUCTIONS** (Page 3 of 3)

**SLIDING DOOR LOCKSET MOUNTING INSTRUCTIONS**

MORTISE HOOK ADJUSTMENT SCREW

If necessary, the hook on the mortise may be adjusted to securely engage the keeper.

